

# **ILLUSTRATED PARTS LIST**

**MFG. ID NO. 96041001500**

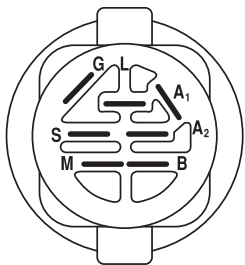
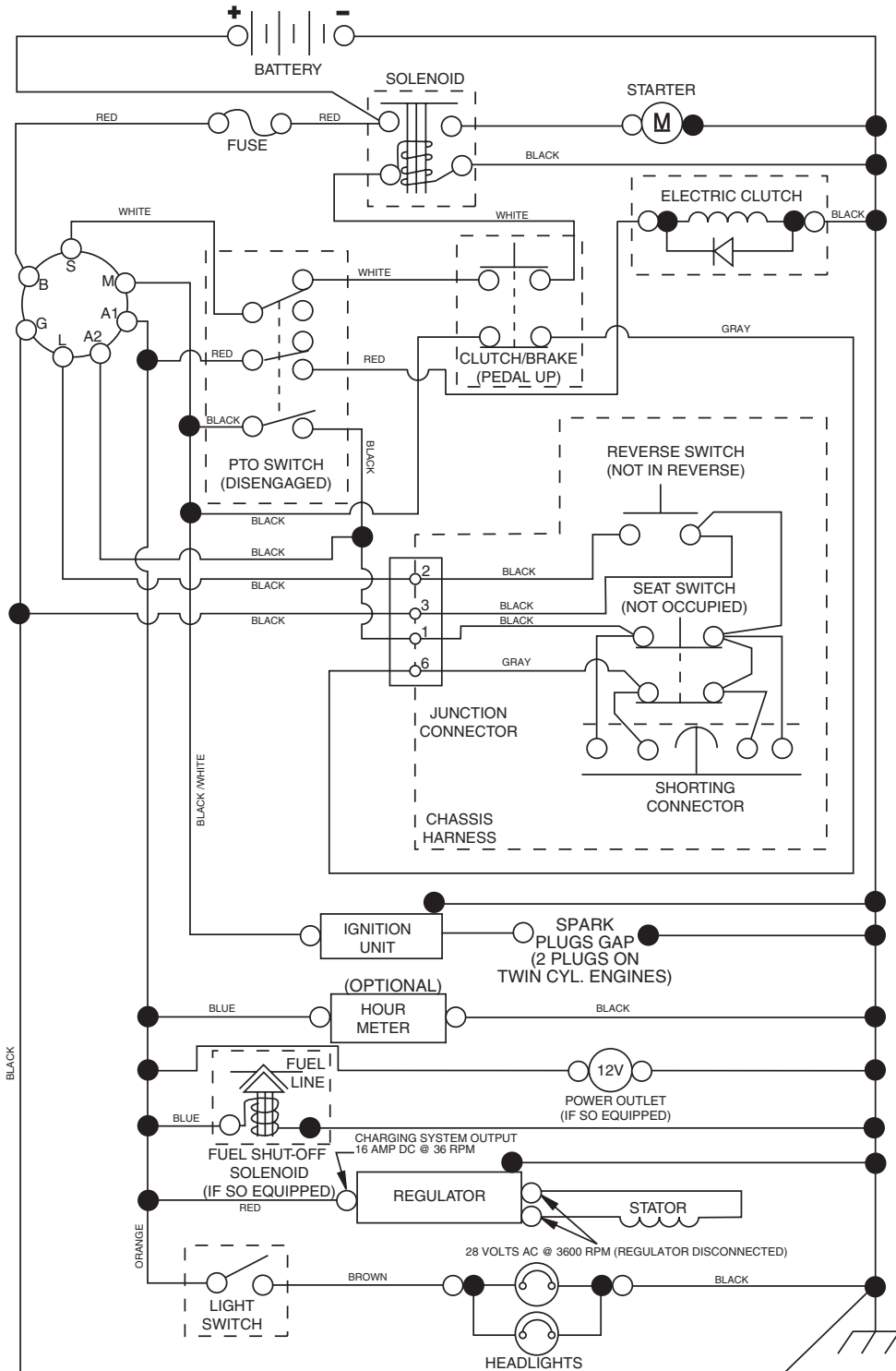
**CUSTOMER CATALOG NO. P145107HP**

**PRODUCT NO. 960 41 00 15**

# TRACTOR - MODEL NO. P145107HP (96041001500), PRODUCT NO. 960 41 00 15

## SCHEMATIC

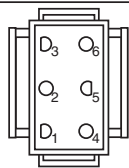
02929-194276\_Regulated-Tex



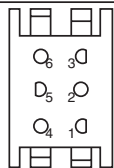
**IGNITION SWITCH**

POSITION	CIRCUIT "MAKE"
OFF	M+G+A1
RUN/OVERRIDE	B+A1
RUN	B+A1 L+A2
START	B + S + A1

02929



CHASSIS HARNESS CONNECTOR (MATING SIDE)



DASH HARNESS CONNECTOR (MATING SIDE)

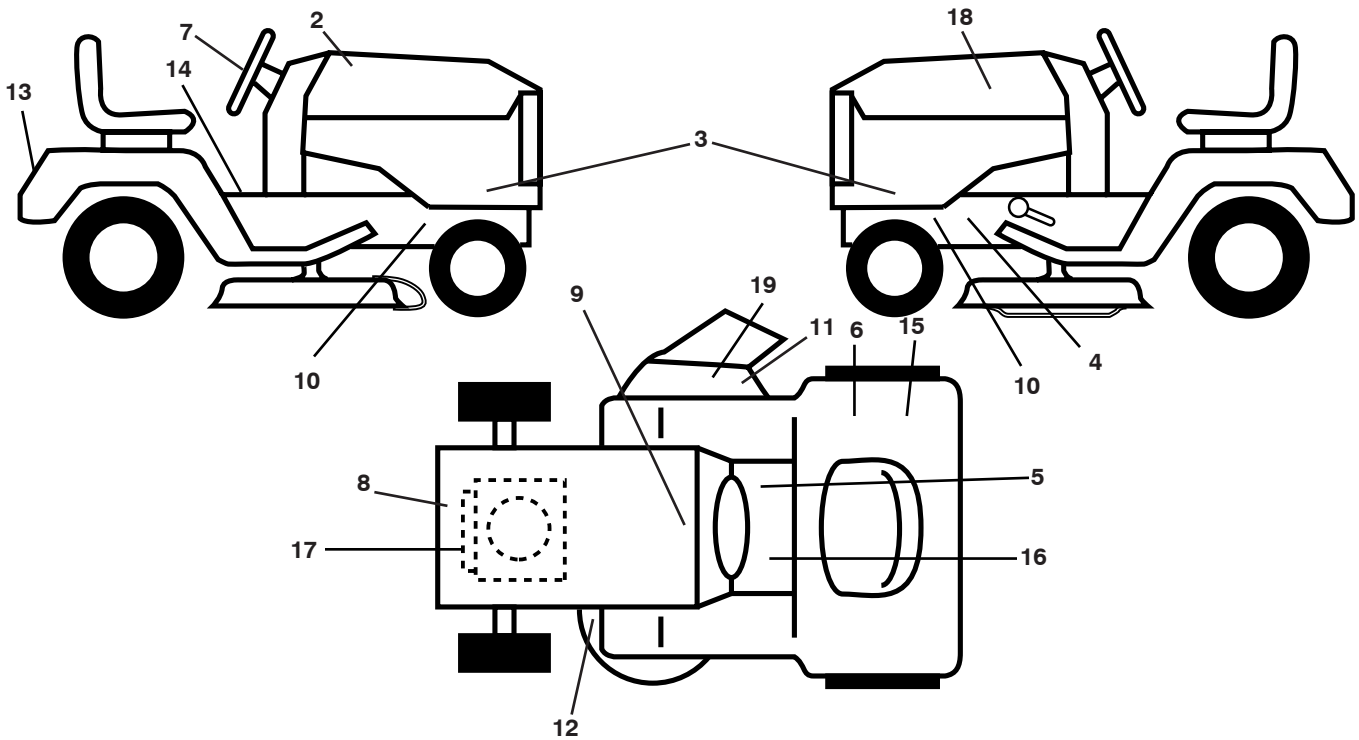
**WIRING INSULATED CLIPS**

**NOTE:** IF WIRING INSULATED CLIPS WERE REMOVED FOR SERVICING OF UNIT, THEY SHOULD BE REPLACED TO PROPERLY SECURE YOUR WIRING.

● NON-REMOVABLE CONNECTIONS

○ REMOVABLE CONNECTIONS

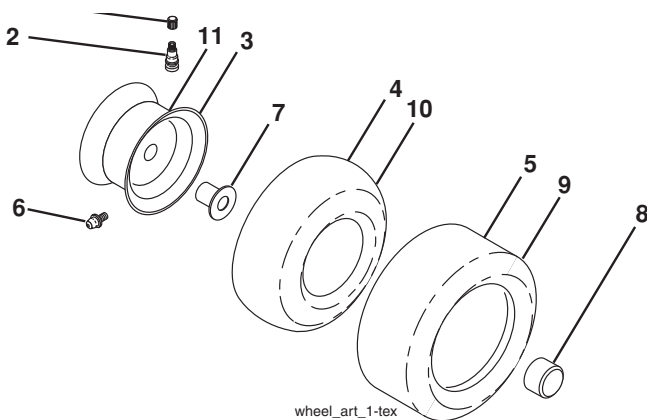
**TRACTOR - MODEL NO. P145107HP (96041001500), PRODUCT NO. 960 41 00 15  
DECALS**



KEY NO.	PART NO.	DESCRIPTION
2	532 40 81-81	Decal, Hood RH
3	532 40 86-35	Decal, Hood Panel SD
4	532 15 97-36	Decal, Hot Muffler
5	532 14 08-37	Decal, Saddle Brake Parking
6	532 18 04-32	Decal, 100 DB/CE
7	532 40 80-55	Decal, Steering Wheel
8	532 19 68-41	Decal, Warn. Eng. Sym.
9	532 14 50-05	Decal, Battery Dnge/Poi
10	532 18 56-51	Decal Chas. Turbo Collector
11	532 19 63-57	Decal, Warning
12	532 16 03-96	Decal, Mower V-Belt Schematic
13	532 40 86-36	Decal, Fender
14	532 40 03-89	Decal, CE

KEY NO.	PART NO.	DESCRIPTION
15	532 17 83-02	Decal, Operator Cruise Symbol
16	532 15 97-37	Decal, Brake/Clutch Sym.
17	532 40 88-16	Decal, Eng H.P.
18	532 40 81-83	Decal, Hood LH
19	532 18 21-66	Decal, Warn.
--	532 16 69-60	Decal, Bypass
--	532 16 25-98	Decal, Load Limit
--	532 40 95-05	Pad, Footrest, LH
--	532 40 95-07	Pad, Foot Pedal Control
--	532 40 88-47	Manual Operator's Euro
--	532 40 88-48	Manual Operator's Scand
--	532 41 19-87	Manual Operator's E-Bloc
--	532 41 19-88	Manual Operator's Baltic

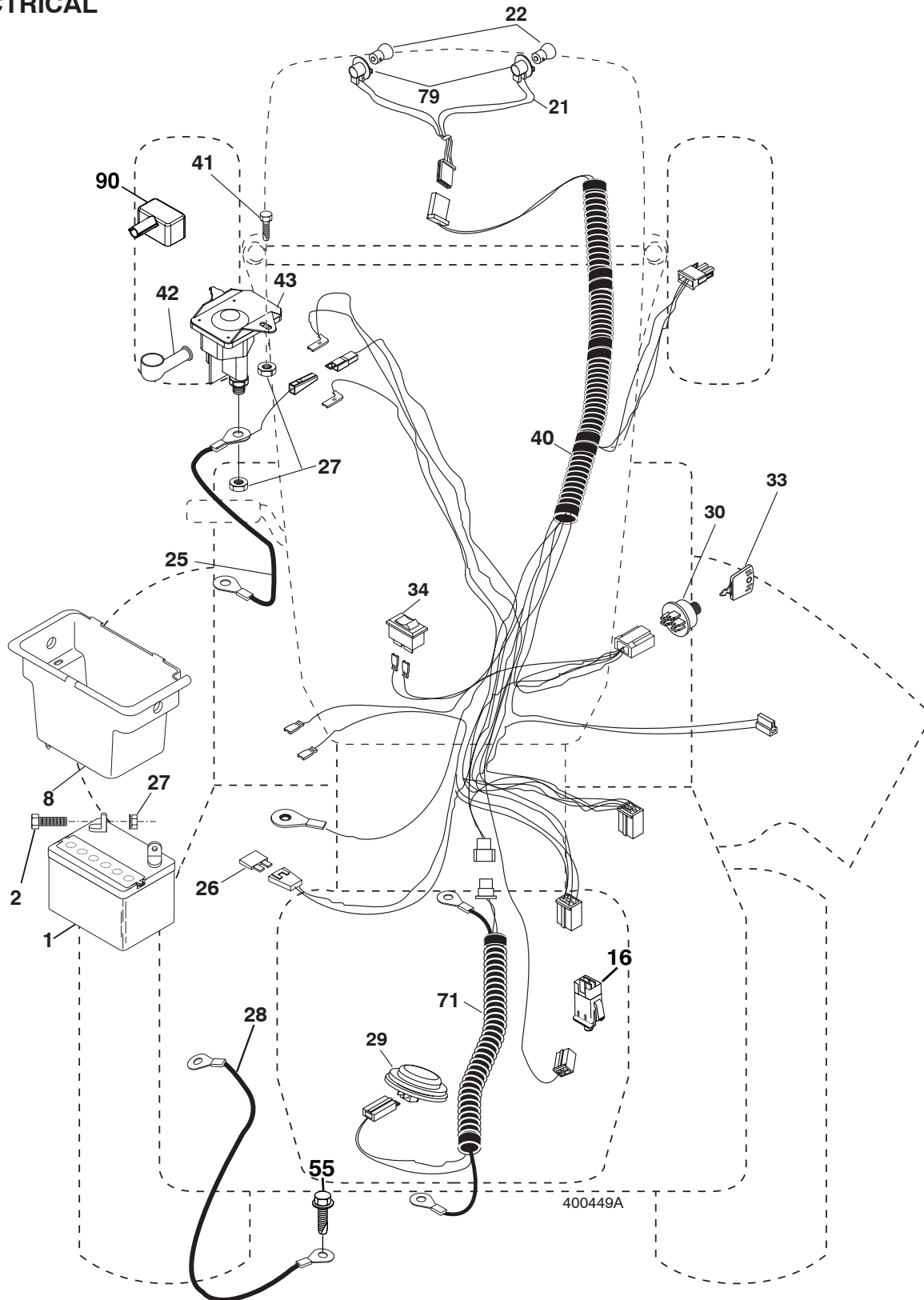
**WHEELS AND TIRES**



KEY NO.	PART NO.	DESCRIPTION
1	532 05 91-92	Cap Valve Tire
2	532 06 51-39	Stem Valve
3	532 12 51-21	Rim Asm Front Service
4	532 05 99-04	Tube Front (Service Item Only)
5	532 10 62-22	Tire F T 15 x 6 0 - 6 Service
6	532 12 49-57	Fitting Grease (Front Wheel Only)
7	532 12 49-59	Bearing Flange (Front Wheel nly)
8	532 17 50-39	Cap Axle Blk 1 50 x 1 00
9	532 13 84-68	Tire R T Service
10	532 12 49-26	Tube Rear (Service Item Only)
11	532 12 51-22	Rim Asm 8" rear Service
--	532 14 43-34	Sealant, Tire (10 oz. Tube)

**NOTE:** All component dimensions given in U.S. inches  
1 inch = 25.4 mm

**TRACTOR - MODEL NO. P145107HP (96041001500), PRODUCT NO. 960 41 00 15**  
**ELECTRICAL**

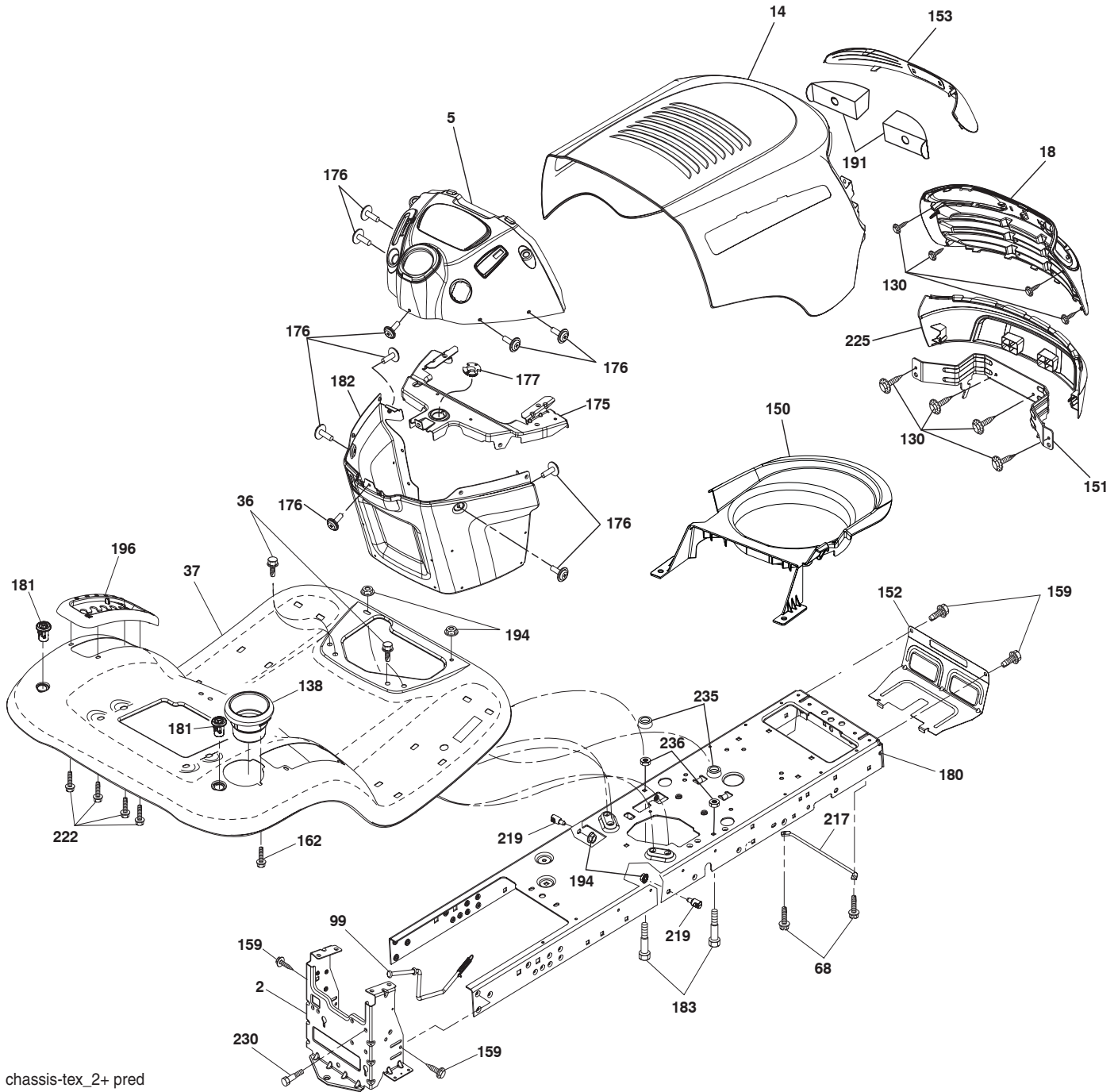


**TRACTOR - MODEL NO. P145107HP (96041001500), PRODUCT NO. 960 41 00 15  
ELECTRICAL**

<b>KEY NO.</b>	<b>PART NO.</b>	<b>DESCRIPTION</b>
1	532 16 34-65	Battery
2	874 76 04-12	Bolt Hex Head 1/4-20 x 3/4
8	532 19 32-28	Box Battery
16	532 17 61-38	Switch Interlock Push-In
21	532 40 02-52	Harness Socket Light W/4152J
22	532 00 41-52	Bulb Light
25	532 40 16-62	Cable Starter
26	532 17 51-58	Fuse
27	873 51 04-00	Nut Keps Hex 1/4-20 unc
28	532 19 88-85	Cable, Ground
29	532 19 27-49	Switch, Seat
30	532 19 33-50	Switch, Ign
33	532 14 04-01	Key, Ignition
34	532 11 07-12	Switch Light / Reset
40	532 40 10-98	Harness Ign.
41	817 72 04-08	Screw Thd Cut 1/4-20 x 1/2
42	532 13 15-63	Cover, Terminal
43	532 19 25-07	Solenoid
55	817 06 05-12	Screw Thdrol 5/16-18 x 3/4
71	532 40 04-49	Harness Ign. Dash
79	532 17 52-42	Socket Asm.
90	532 40 07-25	Cover Terminal

**NOTE:** All component dimensions given in U.S. inches  
1 inch = 25.4 mm

**TRACTOR - MODEL NO. P145107HP (96041001500), PRODUCT NO. 960 41 00 15  
CHASSIS**



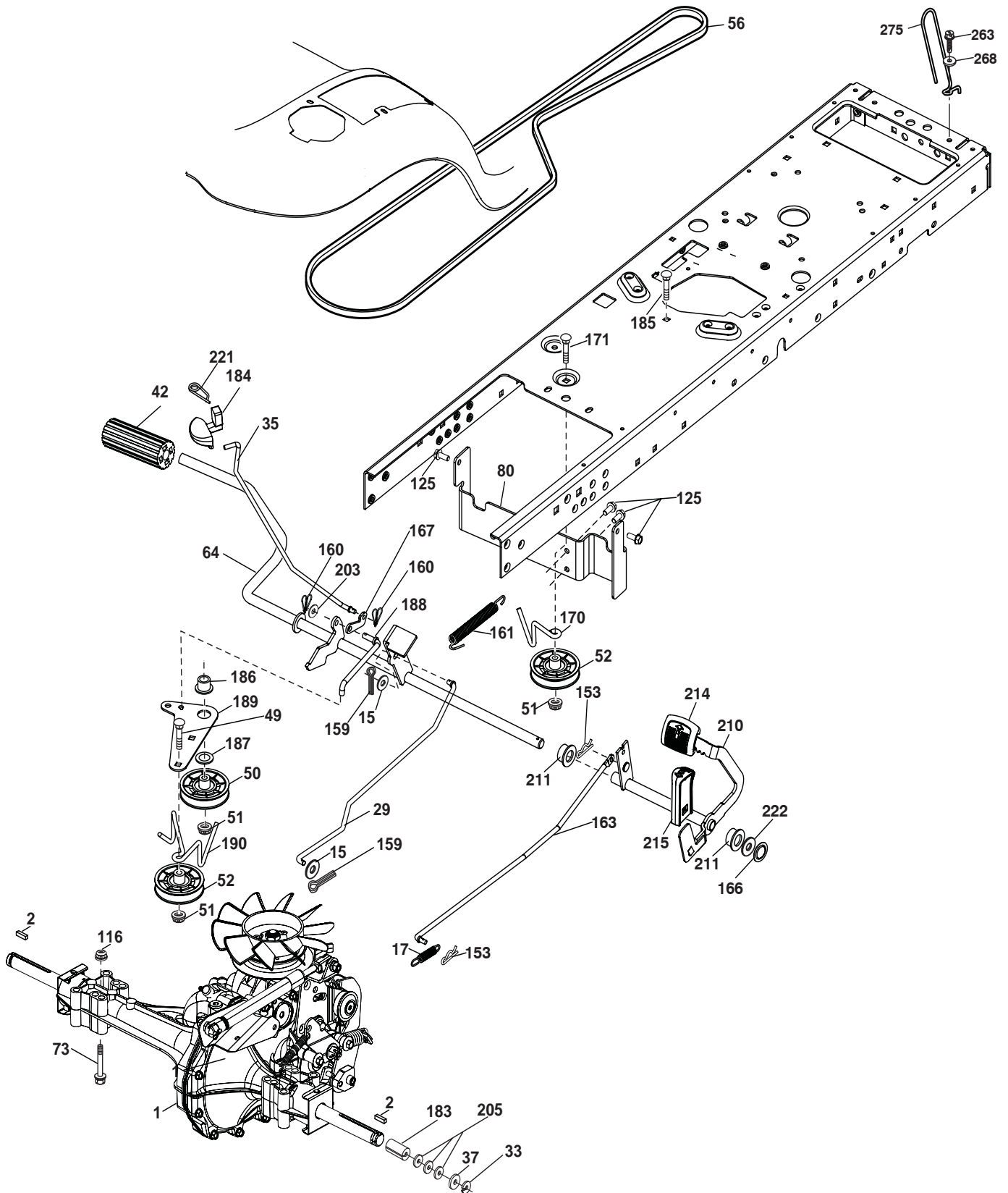
chassis-tex\_2+ pred

**TRACTOR - MODEL NO. P145107HP (96041001500), PRODUCT NO. 960 41 00 15  
CHASSIS**

<b>KEY NO.</b>	<b>PART NO.</b>	<b>DESCRIPTION</b>
2	532 19 42-63	Drawbar
5	532 40 95-97	Dash
14	532 40 95-98	Hood
18	532 40 18-28	Grille/Lens Asm.
36	817 06 05-12	Screw 5/16-18 x 3/4
37	532 40 97-27	Fender
68	817 49 05-08	Screw Thdrol 5/16-18 x 1/2
99	532 40 50-92	Rod Asm Bypass
130	532 19 16-11	Screw 10 x 3/4 Single Lead-Hex
138	532 40 97-30	Cupholder
150	532 40 89-56	Air Duct
151	532 18 75-68	Bracket Pivot
152	532 19 43-29	Shield Browning
153	532 40 97-40	Lens
159	817 00 06-12	Screw 3/8-16 x 3/4
162	532 14 24-32	Screw
175	532 19 94-72	Crossmember
176	532 40 07-76	Screw 10-24 x 5/8
177	532 19 52-28	Bushing Steering
180	532 19 42-60	Chassis
181	532 40 47-96	Bushing Mtg. Fender Crgo
182	532 19 89-17	Dash Lower
183	874 78 05-20	Bolt Fin Hex 5/16-18 unc x 1-1/4
191	532 40 18-27	Reflectors Insert
194	873 90 05-00	Nut Lock Hex Flange 5/16-18
196	532 40 97-28	Console Asm. Deck Lift
217	532 15 65-24	Rod Pivot
219	532 19 51-61	Stud Fastner
222	532 13 77-29	Screw Thdrol 1/4-20 x 5/8
225	532 40 95-85	Bumper
230	532 17 01-65	Bolt Shoulder 5/16-18
235	532 40 61-29	Spacer
236	873 93 05-00	Nut, Lock 5/16-18

**NOTE:** All component dimensions given in U.S. inches  
1 inch = 25.4 mm

TRACTOR - MODEL NO. P145107HP (96041001500), PRODUCT NO. 960 41 00 15  
DRIVE





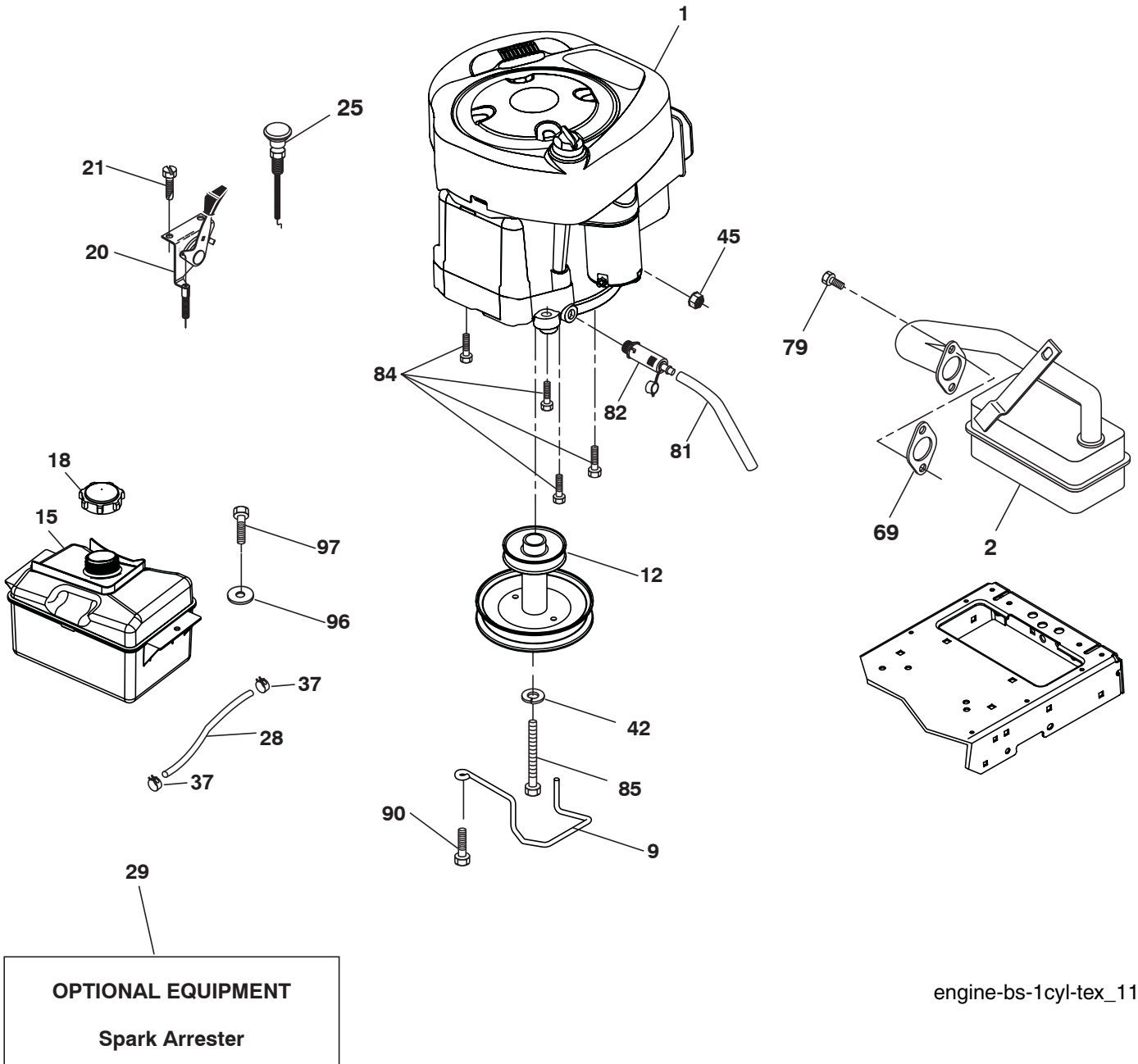
**TRACTOR - MODEL NO. P145107HP (96041001500), PRODUCT NO. 960 41 00 15  
DRIVE**

KEY NO.	PART NO.	DESCRIPTION
1	-----	Transaxle, Hydro 356-0510 (Order Parts from Transaxle Manufacturer)
2	532 12 35-83	Key Square
15	819 13 13-16	Washer 13/32 x 13/16 x 16 Ga.
17	532 19 72-96	Spring, Brake
29	532 19 76-59	Rod, Brake
33	812 00 00-01	Ring E
35	532 40 10-31	Rod, Brake, Park
37	532 12 17-49	Washer 25/32 x 1-1/4 x 16 Ga.
42	532 12 48-72	Cover, Foot Pedal
49	872 11 06-14	Bolt
50	532 19 43-27	Pulley Idler Flat
51	873 90 06-00	Lock Nut 3/8-16
52	532 19 43-26	Idler V-Groove 910" Offset
56	532 14 02-18	V-Belt, Drive
64	53219 78-65	Shaft Asm. Pedal Brake Control
73	874 49 05-44	Bolt Hex Flghd 5/16-18 x 3.0 Gr. 5
80	532 40 05-07	Bracket Strap Torque
116	873 90 05-00	Nut Lock Hex Flange 5/16-18
125	817 00 05-12	Screw 5/16-18 x 3/4
153	532 12 47-88	Retainer Spring
159	876 02 04-12	Pin Cotter 1/8 x 3/4
160	532 16 94-84	Retainer Clip

KEY NO.	PART NO.	DESCRIPTION
161	532 19 54-03	Spring, Return, Clutch
163	532 19 90-00	Rod Pedal Control
166	532 19 72-90	Nut Push
167	532 40 52-57	Latch Brake Parking
170	532 19 43-22	Keeper Belt Centerspan
171	872 11 06-16	Bolt
183	532 13 70-57	Spacer Axle
184	532 40 97-47	Handle Parking Brake
185	872 11 06-20	Bolt
186	532 19 43-21	Spacer Retainer
187	819 13 32-10	Washer
188	532 19 43-23	Link Clutch Ground Drive
189	532 19 43-17	Bellcrank Ground Drive
190	532 19 43-18	Keeper Bellcrank Ground Drive
203	819 11 11-16	Washer 11/32 x 11/16 x 16 Ga.
205	532 12 17-48	Washer 25/32 x 1-5/8 16 Ga.
210	532 40 09-80	Rockr Asm. Pedal Control
211	532 12 01-83	Bearing
214	532 40 17-22	Pad Pedal Forward
215	532 40 17-23	Pad Pedal Reverse
221	532 40 31-87	Retainer Spring Clip
222	879 21 20-10	Washer 21/32 x 1-1/4 Ga.
263	817 00 06-12	Screw 3/8-16 x 3/4
268	819 13 16-14	Washer 13/32 x 1 x 14 Ga.
275	532 18 24-02	Guard Muffler

**NOTE:** All component dimensions given in U.S. inches  
1 inch = 25.4 mm

**TRACTOR - MODEL NO. P145107HP (96041001500), PRODUCT NO. 960 41 00 15  
ENGINE**



engine-bs-1cyl-tex\_11

**TRACTOR - MODEL NO. P145107HP (96041001500), PRODUCT NO. 960 41 00 15  
ENGINE**

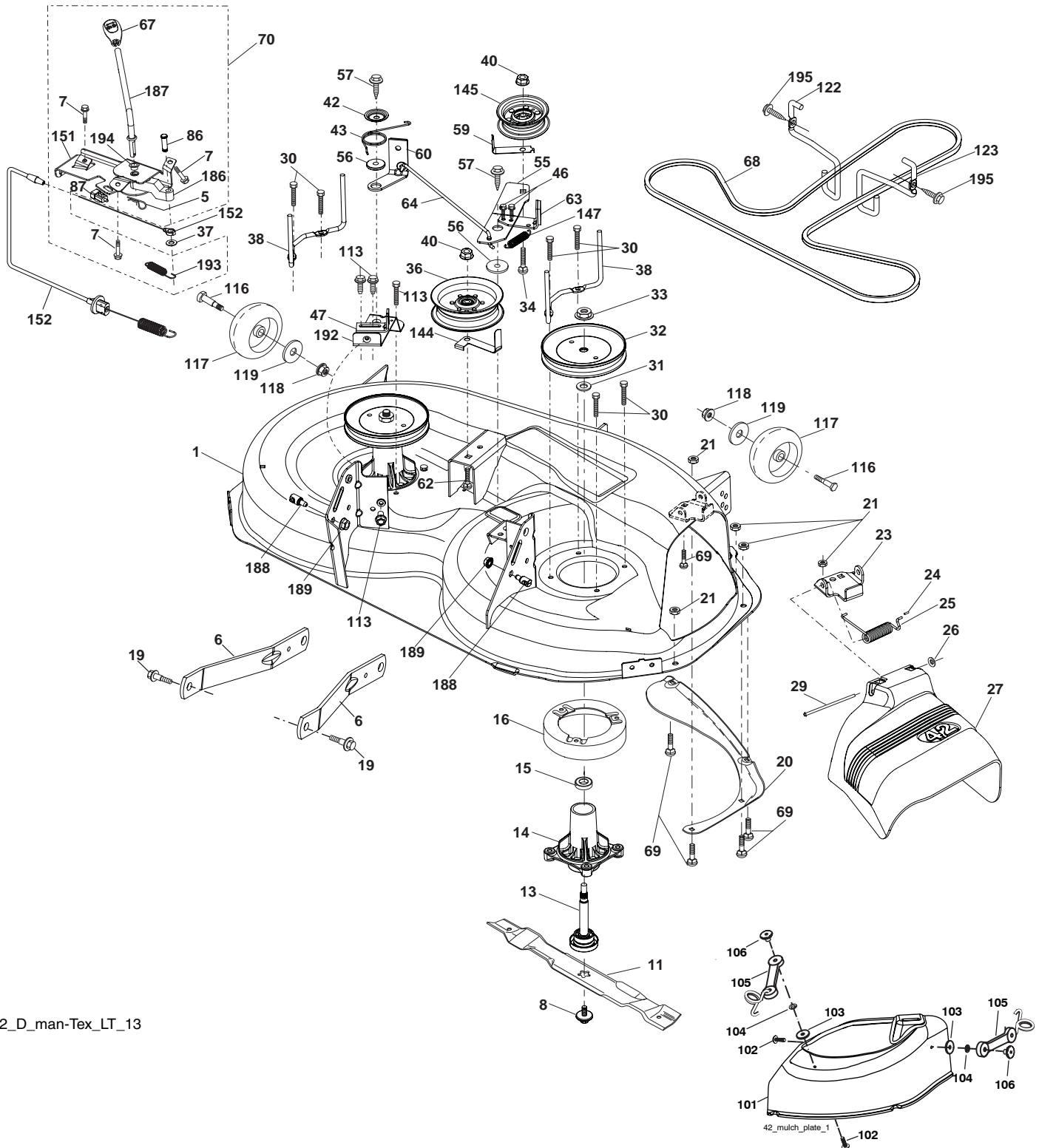
<b>KEY NO.</b>	<b>PART NO.</b>	<b>DESCRIPTION</b>
1	-----	Engine Brigg Model No. 31A507
2	532 13 73-52	Muffler
9	532 19 43-19	Keeper Belt Engine
12	532 40 19-85	Pulley Engine
15	532 40 75-45	Tank Fuel
18	532 19 77-25	Cap Asm
20	532 18 38-97	Control Throttle
21	532 19 16-11	Screw 10 x 3/4 Single Lead-Hex
25	532 19 49-81	Control Choke
28	532 13 70-40	Fuel Line
29	532 13 71-80	Spark Arrester Kit
37	532 12 34-87	Clamp Hose
42	810 04 07-00	Washer Lock 7/16
45	873 51 04-00	Nut Keps Hex 1/4-20 unc
69	532 16 52-91	Gasket
79	532 19 23-34	Screw Socket 5/16-18 x .75
81	532 14 84-56	Tube Drain Oil Easy
82	532 18 16-54	Plug Drain Oil
84	817 06 06-20	Screw 3/8-16 x 1-1/4
85	532 17 39-37	Bolt 7/16-20 x 4 Gr. 5 - 1.5 Thr.
90	817 00 06-16	Screw 3/8-16 x 1
96	819 09 14-16	Washer 9/32 x 7/8 x 16 Ga
97	817 67 04-12	Screw Hexwsh Thdrol 1/4-20 x 3/4

**NOTE:** All component dimensions given in U.S. inches  
1 inch = 25.4 mm

**Engine Power Rating Information**

The gross power rating for individual gas engine models is labeled in accordance with SAE (Society of Automotive Engineers) code J11940 (Small Engine Power & Torque Rating Procedure), and rating performance has been obtained and corrected in accordance with SAE J1995 (Revision 2002-5). Actual gross engine power will be lower and is affected by, among other things, ambient operating conditions and engine-to-engine variability. Given both the wide array of products on which engines are placed and the variety of environmental issues applicable to operating the equipment, the gas engine will not develop the rated gross power when used in a given piece of power equipment (actual "on-site" or net horsepower). This difference is due to a variety of factors including, but not limited to, accessories (air cleaner, exhaust, charging, cooling, carburetor, fuel pump, etc.), application limitations, ambient operating conditions (temperature, humidity, altitude), and engine-to-engine variability. Due to manufacturing and capacity limitations, Briggs & Stratton may substitute an engine of higher rated power for this Series engine.

**TRACTOR - MODEL NO. P145107HP (96041001500), PRODUCT NO. 960 41 00 15**  
**MOWER DECK**



42\_D\_man-Tex\_LT\_13

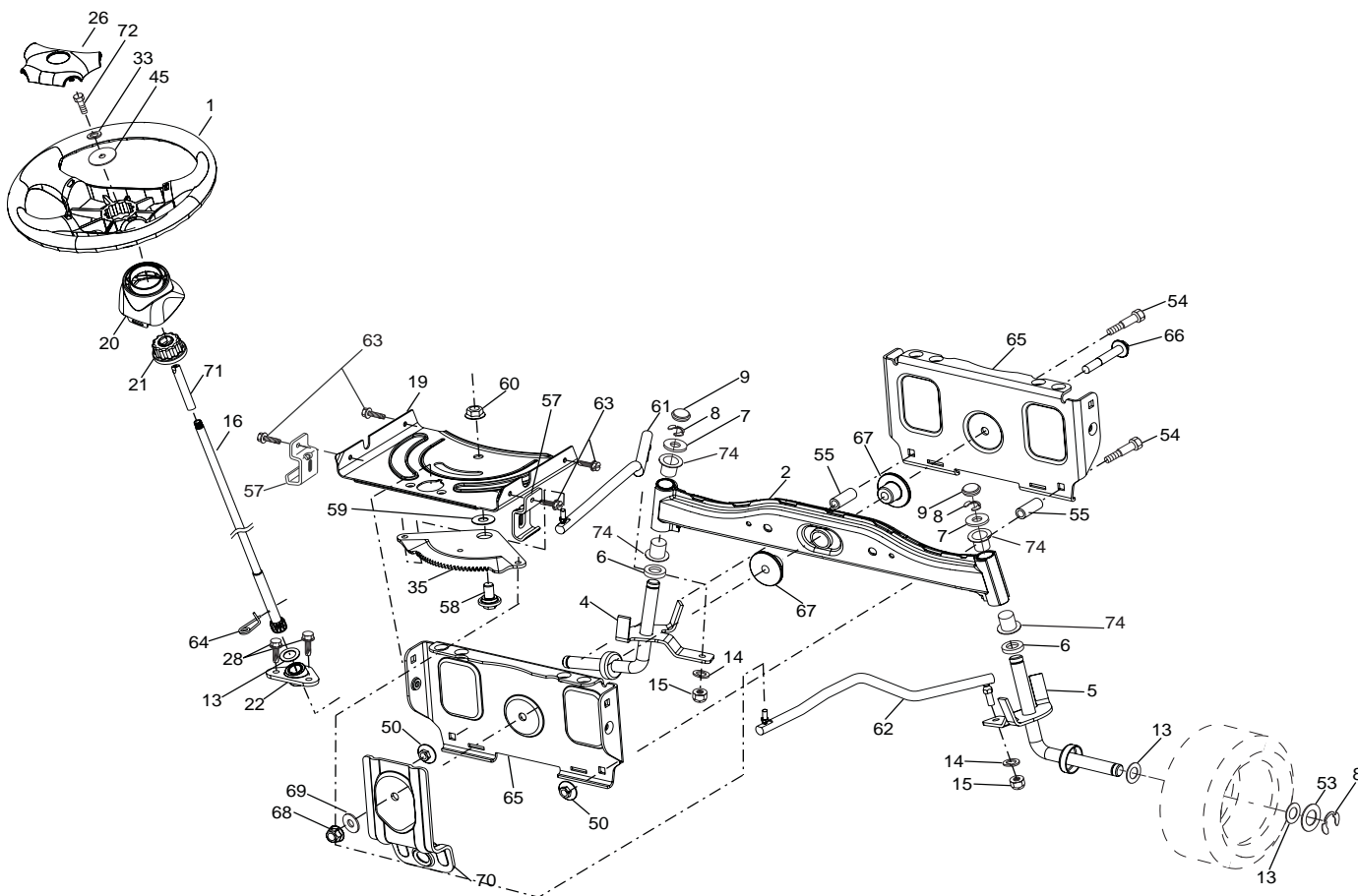
**TRACTOR - MODEL NO. P145107HP (96041001500), PRODUCT NO. 960 41 00 15  
MOWER DECK**

KEY NO.	PART NO.	DESCRIPTION	KEY NO.	PART NO.	DESCRIPTION
1	532 19 64-95	Mower Housing	62	872 11 06-16	Bolt 3/8-16 unc x 2
5	532 12 46-70	Retainer Spring	63	532 19 94-77	Arm Brake Mower
6	532 19 51-86	Arm Suspension	64	532 19 97-90	Linkage Brake
7	532 19 16-11	Screw 10 x 3/4 Single Hex	67	532 40 97-92	Handle Clutch
8	532 19 30-03	Bolt/Washer asm 7/16-20 unf	68	532 19 72-53	V-Belt
11	532 13 41-49	Blade, 42" Mulching (For bagging or discharge)	69	872 14 05-05	Bolt
13	532 19 28-72	Shaft Assembly, Mandrel	70	532 40 12-46	Clutch Asm Manual
14	532 18 72-81	Housing, Mandrel	86	532 19 77-98	Pin Attachment
15	532 11 04-85	Bearing, Ball, Mandrel	87	532 19 78-02	Switch Interlock
16	532 17 44-93	Stripper, Mower Deck	101	532 19 31-07	Cover Mulching
19	532 19 65-39	Bolt, Shoulder	102	871 08 10-10	Screw 10-24 x 5/8
20	532 15 97-70	Baffle, Vortex	103	819 06 12-16	Washer #10
21	873 68 05-00	Nut, Crownlock 5/16-18 unc	104	810 07 10-00	Washer Lock #10
23	532 19 25-57	Bracket, Deflector	105	532 16 07-93	Latch Asm
24	532 10 53-04	Cap, Sleeve	106	532 12 50-04	Nut Weld
25	532 19 70-26	Spring, Torsion, Deflector	113	817 00 05-10	Bolt 5/16-18
26	532 11 04-52	Nut, Push	116	532 12 48-42	Bolt, Shoulder
27	532 40 30-04	Shield, Deflector	117	532 18 86-06	Wheel, Gauge
29	532 13 14-91	Rod, Hinge	118	873 93 06-00	Nut, Lock 3/8-16 unc
30	532 17 39-84	Screw Thdrol Rolling Wsh Hd	119	819 12 14-14	Washer 3/8 x 7/8 x 14 Ga.
31	532 18 76-90	Washer, Spacer	122	532 19 72-58	Keeper Belt Engine LH
32	532 19 74-73	Pulley, Mandrel	123	532 19 72-59	Keeper Belt Engine RH
33	532 40 02-34	Nut, Toplock, Flanged	144	532 19 92-04	Keeper Belt Mower
34	872 11 06-12	Bolt Carr Sh. 3/8-16 x 1-1/2 Gr. 5	147	532 40 19-71	Spring Return
36	532 19 73-79	Pulley, Idler, Primary	145	532 19 31-97	Pulley Idler
37	819 13 13-16	Washer 13/32 x 13/16 x 16 Ga.	151	532 40 12-44	Bracket Clutch CBL
38	532 19 91-89	Keeper Belt LH Mandrel	152	532 40 87-14	Cable Clutch Manual
40	873 90 06-00	Nut, Lock Flg. 3/8-16 unc	186	532 19 77-99	Arm Actuator
42	532 19 84-10	Spring Torsion Brake	187	532 40 12-45	Lever Control CL Cable
43	532 19 72-56	Spring Torsion Retainer	188	532 19 51-61	Stud Fastener
46	532 13 77-29	Screw 1/4-20 x 5/8	189	873 90 05-00	Nut Lock Hex Flange
47	532 19 72-50	Bracket Clutch Cable	192	532 19 72-60	Bracket Brake Stand LH
55	532 19 72-49	Arm, Idler	193	532 19 78-01	Spring Plunger Actuator
56	532 19 90-92	Spacer, Retainer	194	532 19 77-97	Bearing Control Lever
57	817 00 06-16	Screw 3/8-16 x 1	195	817 00 06-12	Screw 3/8-16 x 3/4
59	532 14 10-43	Guard, Tuv Idler	--	532 19 28-70	Mandrel Assembly (Includes housing, shaft and shaft hardware only-pulley not included)
60	532 19 72-61	Arm Brake Mower	--	532 40 51-26	Replacement Mower, Complete

**NOTE:** All component dimensions given in U.S. inches  
1 inch = 25.4 mm

# TRACTOR - MODEL NO. P145107HP (96041001500), PRODUCT NO. 960 41 00 15

## STEERING ASSEMBLY

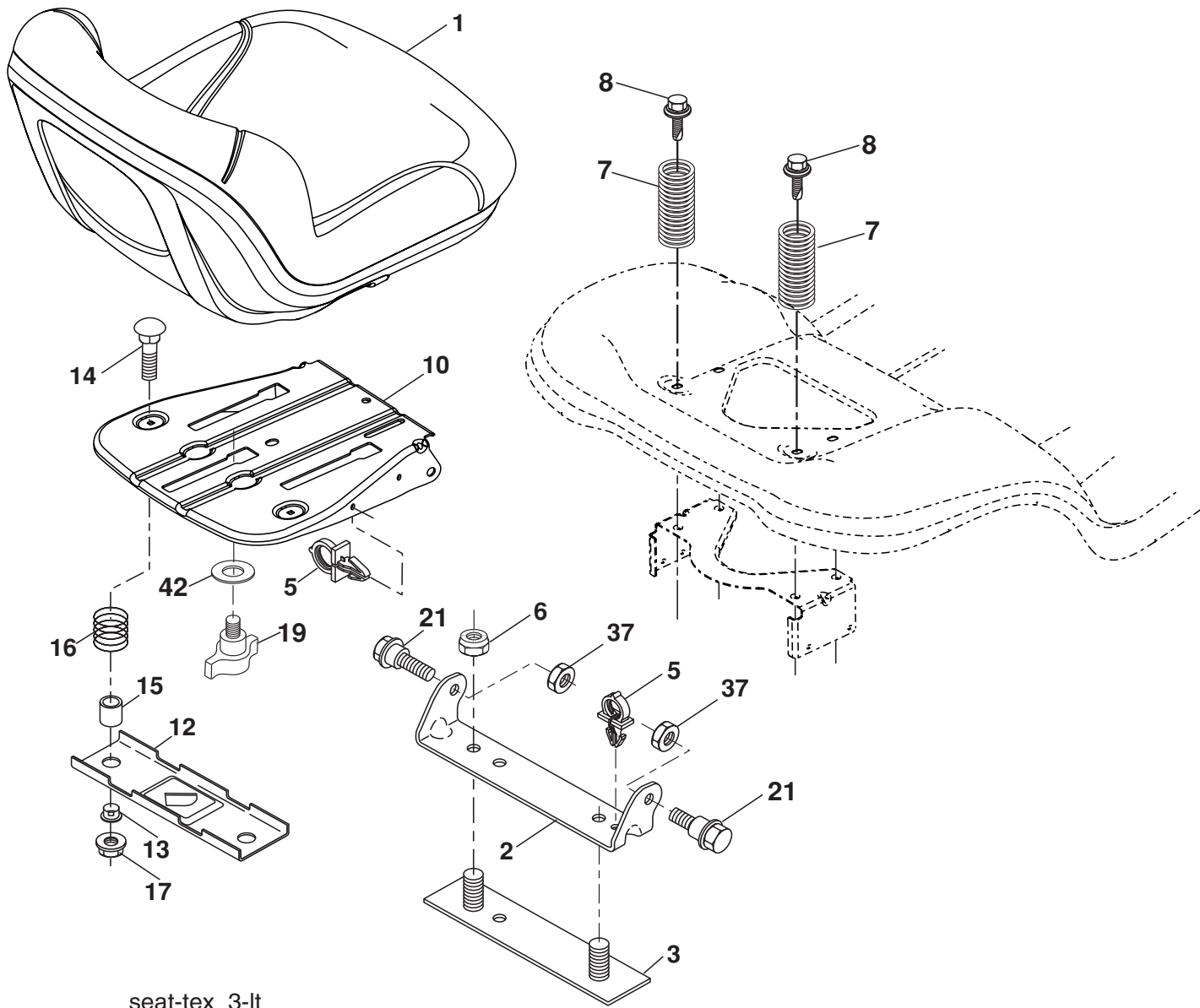


steering-tex\_11-It

KEY NO.	PART NO.	DESCRIPTION	KEY NO.	PART NO.	DESCRIPTION
1	532 19 45-95	Wheel, Steering	50	873 90 06-00	Nut Lock 3/8-16 unc
2	532 19 56-73	Axle Asm., Front	53	532 18 89-67	Washer Hardened .793 x 1.637 x .060
4	532 40 30-87	Spindle Asm., LH	54	874 76 06-36	Bolt Hex 3/8-16 unc x 2-1/4
5	532 40 30-88	Spindle Asm., RH	55	532 19 76-36	Spacer Brace Axle
6	532 12 49-31	Bearing, Race Thrust Harden	57	532 40 74-65	Bracket Upstop
7	532 12 17-48	Washer 25/32 x 1-5/8 x 16 Ga.	58	532 19 47-47	Bolt Shoulder Sector Pivot CFM
8	812 00 00-29	Ring, Klip #T5304-75	59	532 19 47-48	Washer Thrust Sector Steering
9	532 12 12-32	Cap, Spindle	60	873 97 10-00	Nut Flange Lock 5/8-11
13	532 12 17-49	Washer 25/32 x 1-1/4 x 16 Ga.	61	532 19 47-40	Draglink LH
14	810 04 06-00	Washer, Lock Hvy Hlcl Spr 3/8	62	532 19 47-41	Draglink, RH
15	873 54 06-00	Nut, Crown Lock 3/8-24 unf	63	817 00 05-12	Screw 5/16-18 x 3/4
16	532 19 60-74	Shaft Steering	64	532 19 98-49	Retainer Clip Spring Steering
19	532 19 47-29	Plate Steering	65	532 19 47-34	Brace Axle Front
20	532 40 97-63	Boot Steering	66	871 02 07-48	Bolt Hex Fghd 7/16-14 x 3 Serr
21	532 18 67-37	Adapter, Wheel Steering	67	532 19 47-37	Bushing PM Front Axle
22	532 19 48-45	Bushing, Strg. Blk	68	873 90 07-00	Nut Lock Flange 7/16-14 Gr. 5
26	532 19 46-03	Insert, Wheel Steering	69	532 19 91-62	Washer 1.5 x .505 x .118
28	817 00 06-12	Screw 3/8-16 x 3/4	70	532 19 61-97	Bracket Deck Susp. Front
33	810 04 05-00	Washer Lock 5/16	71	532 19 60-75	Shaft Extension Steering
35	532 19 47-32	Gear, Sector Plate	72	874 78 05-72	Bolt 5/16-18 x 4.5 Gr. 5
45	819 11 38-12	Washer 11/32 x 2-3/8 x 12 Ga.	74	532 12 49-37	Bearing Col. Strg.

**NOTE:** All component dimensions given in U.S. inches  
1 inch = 25.4 mm

**TRACTOR - MODEL NO. P145107HP (96041001500), PRODUCT NO. 960 41 00 15  
SEAT ASSEMBLY**



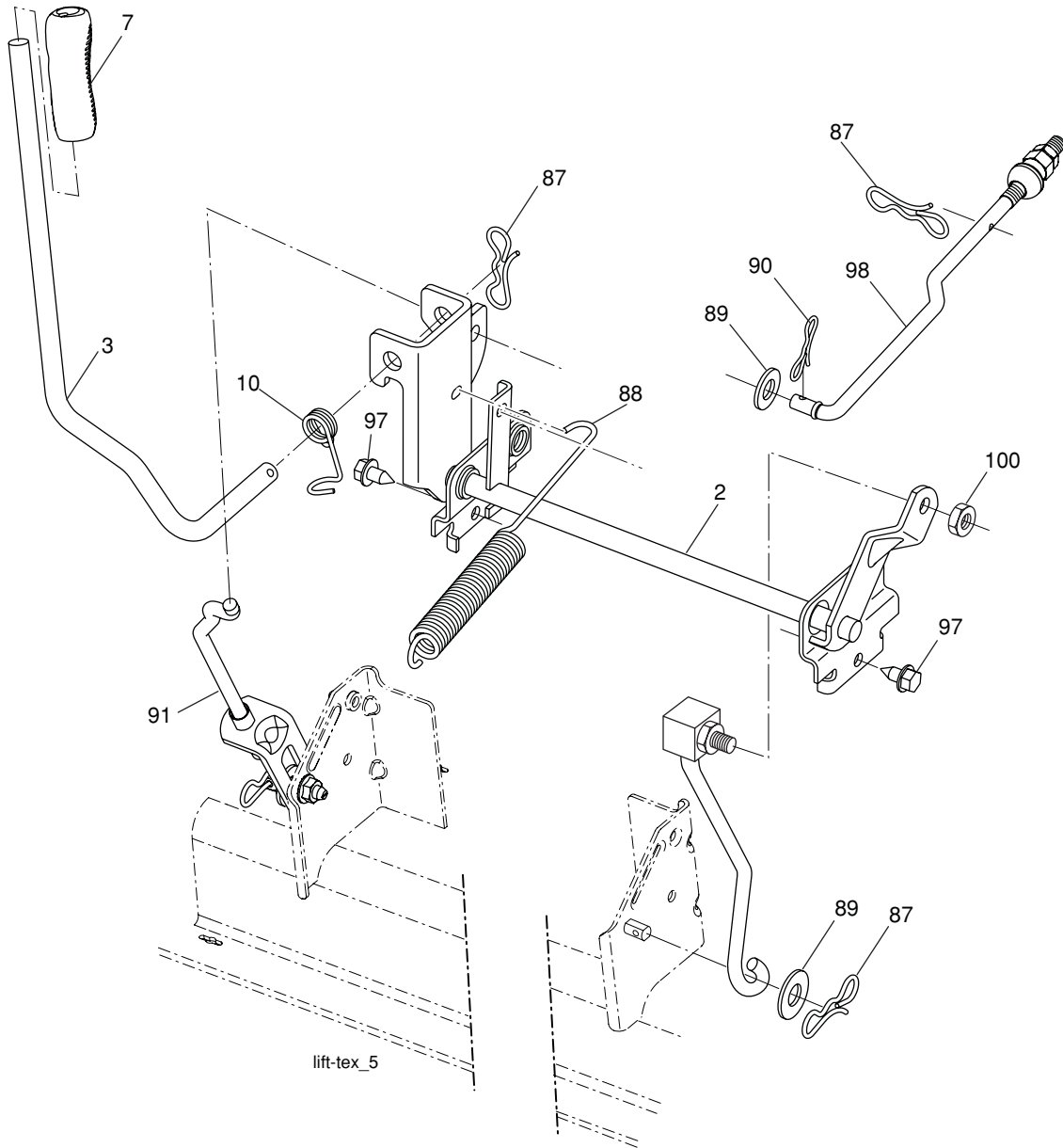
seat-tex\_3-lt

KEY NO.	PART NO.	DESCRIPTION
1	532 19 75-11	Seat
2	532 18 01-66	Bracket Pivot Fender
3	532 14 06-75	Strap, Asm Fender
5	532 14 50-06	Clip, Push In, Hinged
6	873 80 06-00	Nut, Lock W/Ins. 3/8-16 unc
7	532 12 41-81	Spring, Seat Cprsn
8	532 17 18-77	Bolt 5/16-18 uncx 3/4 w/Sems
10	532 19 91-80	Pan, Seat
12	532 19 93-70	Bracket, Seat
13	532 12 12-48	Bushing Snap
14	872 05 04-12	Bolt 1/2-20 x 1-1/2

KEY NO.	PART NO.	DESCRIPTION
15	532 13 43-00	Spacer, Split
16	532 12 37-40	Spring CPRSN Plate
17	532 12 39-76	Nut, Lock 1/4
19	532 19 93-72	Knob, Seat
21	532 17 18-52	Bolt, Shoulder 5/16-18
37	873 80 05-00	Nut, Lock 5/16-18 unc
42	532 19 93-71	Washer, Cup Seat

**NOTE:** All component dimensions given in U.S. inches  
1 inch = 25.4 mm

**TRACTOR - MODEL NO. P145107HP (96041001500), PRODUCT NO. 960 41 00 15  
MOWER LIFT**



KEY NO.	PART NO.	DESCRIPTION
2	532 19 52-23	Shaft Asm., Lift
3	532 19 52-31	Lever Asm., Lift Rh
7	532 41 15-55	Grip, Lever
10	532 19 63-14	Spring Torsion
87	532 19 42-09	Pin Cotter 7/16 Bow Tie Lock
88	532 19 53-03	Spring Lift Assist
89	819 19 19-12	Washer Clear Zinc

KEY NO.	PART NO.	DESCRIPTION
90	532 19 42-08	Pin Cotter 5/16 Bow Tie Lock
91	532 19 51-81	Link Lift Susp Mower Rear
97	817 06 06-12	Screw 3/8-16 x .75 Smgml Tap/R.Z
98	532 19 52-70	Link Lift Susp. Front Mower
100	873 93 06-00	Nut Centerlock 3/8-16 unc

**NOTE:** All component dimensions given in U.S. inches  
1 inch = 25.4 mm